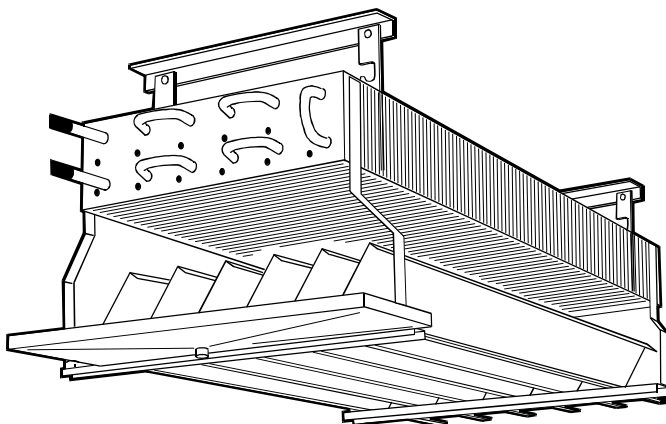


# Gravity Cooler type EVEH/V, KBEH/V with GS Drip Tray



61402



## Operation Manual



**Asarums Industri AB**      **Tel:** +46 454 334 00  
Södra Industrivägen 2-4    **Fax:** +46 454 320 295  
SE - 374 50 Asarum  
Sweden



# Gravity Cooler type EVEH/V, KBEH/V with GS Drip Tray

---



## INDEX

---

P

Product overview	4
Installation	5
Receipt of goods and assembly	6
Preventative maintenance	7

# Gravity Cooler type EVEH/V, KBEH/V with GS Drip Tray



## Overview

### General description

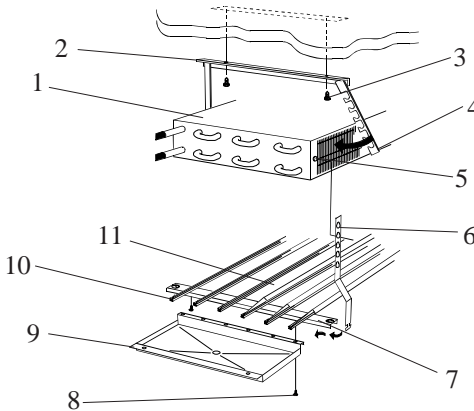
EVEH/V and KBEH/V are ceiling mounted 'gravity coolers' suitable for natural convection applications where today's demands call for draught-free cooling and low maintenance.

These products are suitable for both small and medium sized cold stores and preparation rooms etc.

### Important!

Minimise the frequency of cold store 'doors openings' to avoid the ingress of warm moist air, which often results in excessive frost or ice build-up and reduced capacity. It is essential to ensure 'free air circulation' within the cold storage to sustain optimum cooling capacity.

The finned surfaces should be clean and free from dust and ice at all times.



Pos	Designation	Pos	Designation	Pos	Designation
1	Coil	5	Location hole	9	Collector
2	Ceiling bracket	6	Drip tray hanger	10	Drip tray profile
3	Ceiling fixings	7	Profile support	11	Drip tray slates
4	Coil hanger	8	Locating screw		

# Gravity Cooler type EVEH/V, KBEH/V with GS Drip Tray

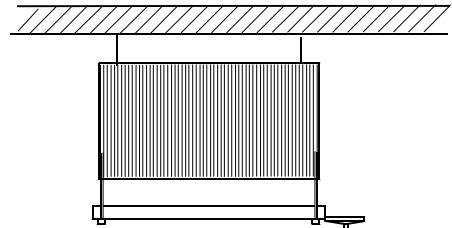
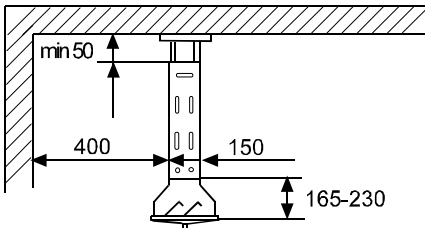
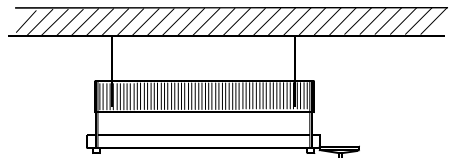
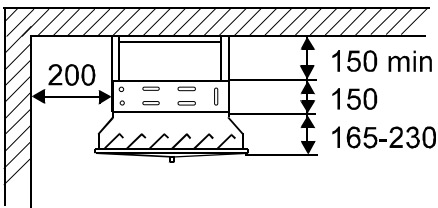


## Installation

The installation instructions below should be read together with the brochure, which contains the technical description.

### Location of Coolers

It is very important to place the product according to the minimum dimensions detailed below to ensure adequate air circulation and provide access for maintenance.



# Gravity Cooler type EVEH/V, KBEH/V with GS Drip Tray

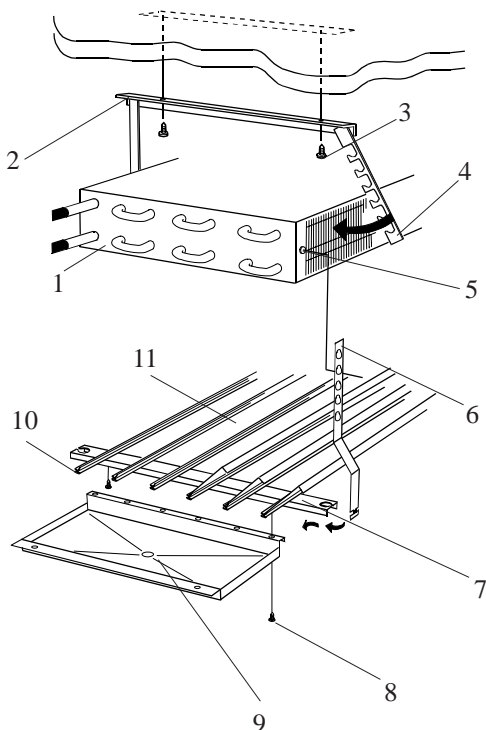


## Receiving of goods and assembly

During manufacture the product is subject to thorough quality control and serviceability checks. However, should the product exhibit defects or have been subject to transport damage, immediately notify both the haulier and your Distributor.

## Assembly

1. Remove the product (1-11) from packaging.
2. Affix the factory assembled brackets (2) to the ceiling using suitable screws (3).
3. Slot the coil hanger (4) in between the fins and hook onto the tubes (1) and adjust the coil to be horizontal.
4. Assemble the drip tray slates (11) into the drip tray profiles (10).
5. Assemble the drip tray hangers (6) in each end of the profile support (7) and rotate through 90° degrees.
6. Mount the GS drip tray assembly onto the coil end plates using location holes (5).
7. Adjust the drip tray to ensure a minimum slope of 3 cm per 1,5 m towards the collector (9).
8. Fix the GS drip tray collector (9) with screws (8) at the lowest position of the GS assembly



# Gravity Cooler type EVEH/V, KBEH/V with GS Drip Tray



## Preventive maintenance

### Cleaning of the coil

The product should be regularly checked for fouling.

A lightly fouled or dusty coil can be cleaned with a low pressure compressed air and/or soft bristled brush, providing care is taken.

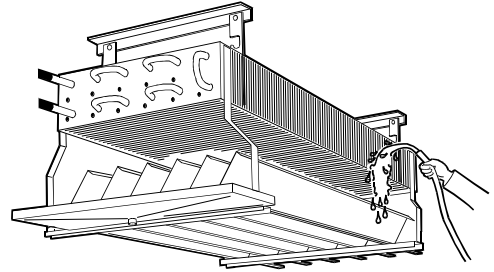
A heavily fouled coil, GS drip tray assemble or collector should be cleaned with water and a non-aggressive detergent. Avoid the use of high pressure spray washers, as fin damage will result.

Check that the drain pipe is not clogged. Rinse and leave to dry.



### Caution!

Always use protective gloves when handling or cleaning coils.



**Gravity Cooler type EVEH/V, KBEH/V  
with GS Drip Tray**

---



---

2009-02-10

**Asarums Industri AB**      **Tel:** +46 454 334 00  
Södra Industrivägen 2-4    **Fax:** +46 454 320 295  
SE - 374 50 Asarum  
Sweden